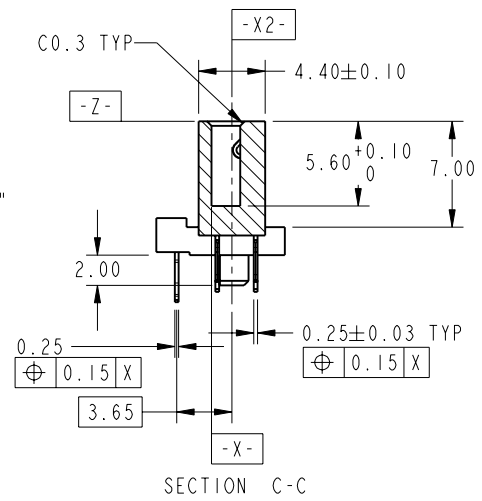
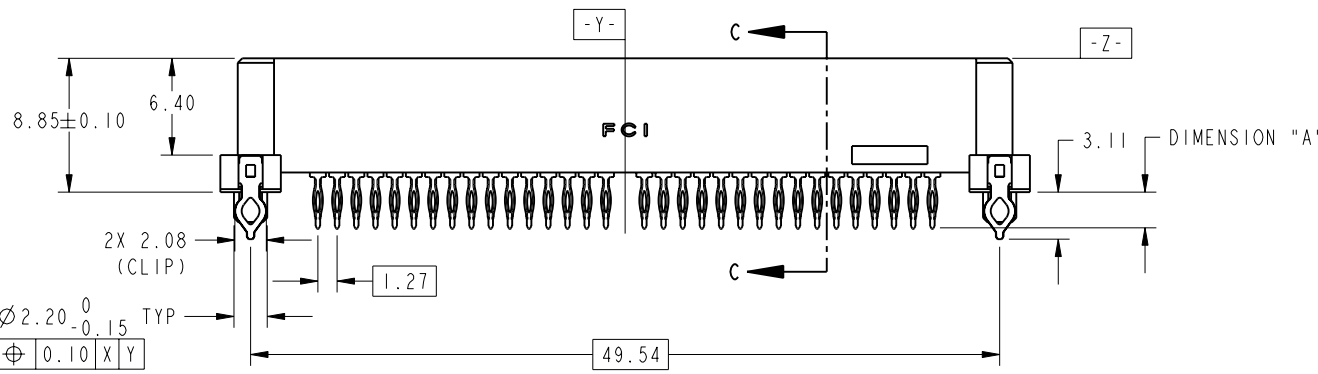
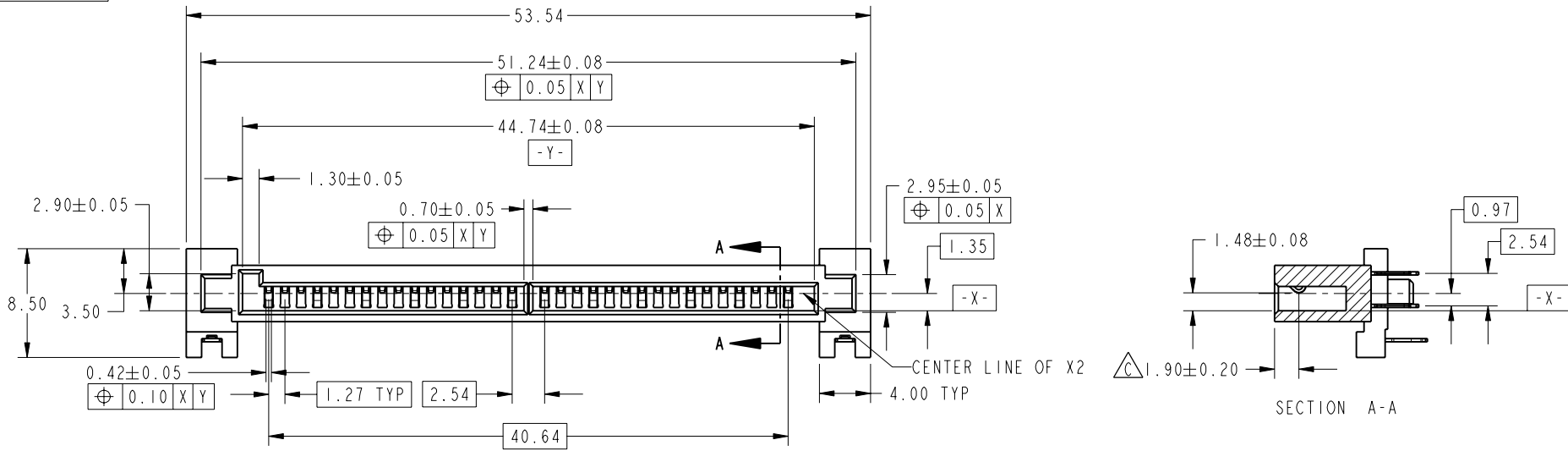


PRODUCT NO.
10040812-001LF



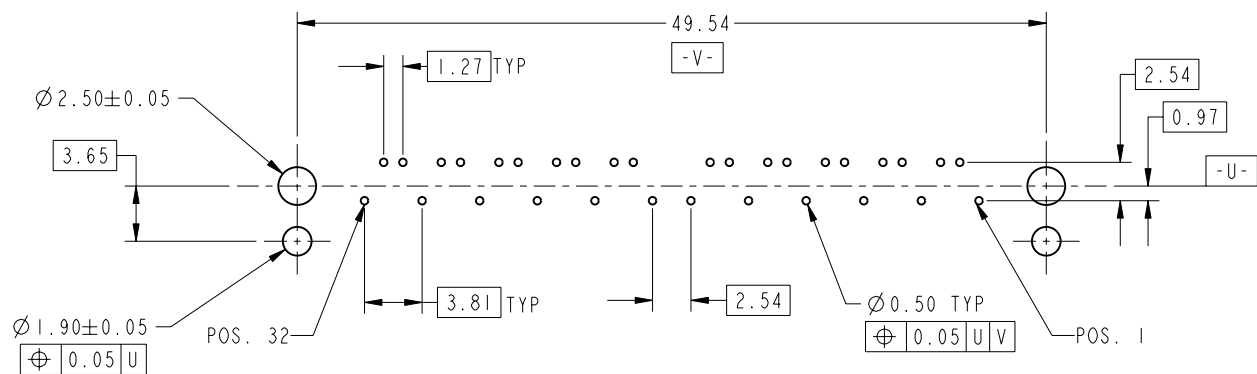
Copyright FCI.

www.fciconnect.com			surface ASME Y14.5	tolerance std ASME Y14.5	projection MM
			TOLERANCES UNLESS OTHERWISE SPECIFIED		
Dr	SH TAN	2004-04-26	ANGULAR	0.X ±0.25	size A4
Eng	HK LIM	2008-03-13	LINEAR	0.XX ±0.13	Scale 2:1
Chr	HK LIM	2008-03-13	0° ±2°	0.XXX ±0.050	ECN S08-0073
Appr	JOEY NG	2008-03-13	Product family		Spec ref
FCI			4 LANE RECEPTACLE VERTICAL P/F ASSY		dwg no 10040812
			catalog no		CUSTOMER
					Rev. C
					sheet 1 of 2

rev	ecn no	dr	date
A	S05-0334	CST	2005-12-16
B	S06-0086	HKL	2006-03-13
C	S08-0073	HKL	2008-03-13
-	-	-	-
-	-	-	-
-	-	-	-
-	-	-	-

REV E - 2006-03-28

PRODUCT NO.	PCB THICKNESS	DIMENSION "A"	CONTACT GOLD THICKNESS
10040812-001LF	1.57±0.10	2.50±0.10	30 μ"/0.76 μm



RECOMMENDED PCB LAYOUT
SCALE 2:1

- NOTES:
- MATERIAL:
HOUSING- HIGH TEMPERATURE PLASTIC, BLACK, UL 94V-0
CONTACT- COPPER ALLOY
BOARD LOCK- COPPER ALLOY
 - FINISH:
CONTACT:
1.27um Min. NICKEL UNDERPLATE OVERALL,
1.91um Min. 100% MATTE TIN (LEAD-FREE) ON SOLDER TAILS,
0.76um Min. GOLD ON CONTACT AREAS
BOARD LOCK:
1.27um Min. NICKEL UNDERPLATE AND
1.27um Min. 100% MATTE TIN(LEAD-FREE) OVERALL
 - THIS PRODUCT MEETS EUROPEAN UNION DIRECTIVES AND OTHER COUNTRY REGULATIONS AS DESCRIBED IN GS-22-008
 - THE HOUSING WILL WITHSTAND EXPOSURE TO 260°C PEAK TEMPERATURE FOR 10 SECONDS IN A CONVECTION, INFRA-RED OR VAPOR PHASE REFLOW OVEN
 - A SYMBOL WILL BE NEXT TO ANY DIMENSION, VIEW, OR NOTE WHICH HAS BEEN MODIFIED WITH THE CURRENT DRAWING REVISION

	title	4 LANE RECEPTACLE VERTICAL P/F ASSY	dwg no	10040812	Rev.	C
	catalog no		CUSTOMER	sheet 2 of 2		

REV E - 2006-03-28



Copyright FCI.